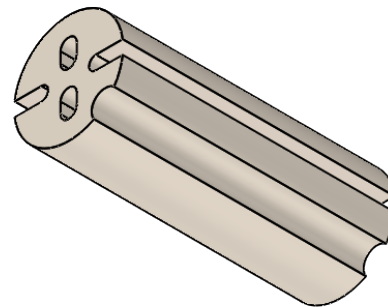
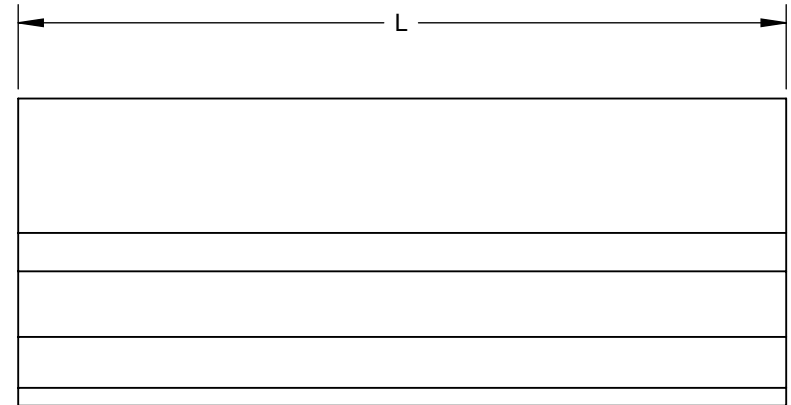
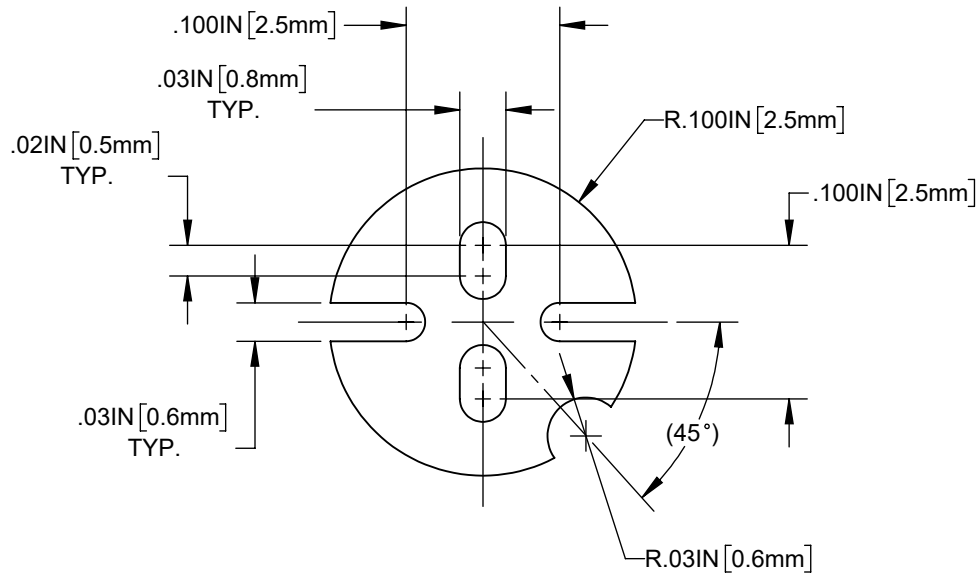



NOTES:

1. MATERIAL: PVC ALLOY, 94V-0, NATURAL.
2. TOLERANCE "L" DIMENSIONS:
.030 ~ .500 inch +/- .005 (1.0 ~ 12.7mm +/- 0.1mm)

REVISIONS			
REV.	DESCRIPTION	DATE	APPROVED
A	ENGINEERING RELEASE	01/03/2022	ATV
B	ECO-1133-CHG DIM, COLOR & MAX LENGTH	5/18/22	ATV
C	ECO-1141, RE-DESIGN, ORIENTATION FEATURE	7/15/2022	ATV
D	ECO-XXXX, RE-DESIGN FOR MFG CONV.	9/14/2022	ATV
E	REMOVED SLOTS FROM MODEL	9/21/2022	A.V.
E1	CHG DWG TITLE, CORR DATE	12/1/2022	A.V.



CUSTOMER USE DRAWING

STANDARD TOLERANCE (UNLESS OTHERWISE SPECIFIED)		 4 THOMAS, IRVINE, CA. 92618 TEL: (949) 951-8808 FAX: (949) 951-3974	
DECIMALS	ANGULAR		
.X ± .1	X° ± 1°	TITLE: EXTRUDED LED MOUNT, SELF-RETAINING WITH POLARITY IDENTIFIER	
.XX ± .01			
.XXX ± .005			
DESIGNED: A.VALDEZ	DATE: 04/07/2022	DRAWING NO: ELM 1-XXXP	REVISION: E
REVISED: M. PAGDONSOLAN	DATE: 12/1/2022	SHEET SIZE A	CAGE CODE: 32559
CHECKED: A.VALDEZ	DATE: 12/1/2022	SCALE: 8:1	SHEET # 1 OF 1

CAD GENERATED DOCUMENT, DO NOT MEASURE DRAWING